

MS-OMR-IV – Technical description

1. General

The MS-OMR-IV is a vehicular mounted multi-spectral thermal beacon for covertly marking blue force personnel and vehicles. It radiates in the thermal spectrum (3–5 microns region) as well as in the near IR spectrum. It is equipped with a vehicular power cable for fixed installation on a vehicle. The near-IR signaling for detection by Night Vision Devices produces a family of non-visible emitters combining thermal and IR wavelengths. The unit designed to operate and withstands harsh environment conditions. It is extremely small and lightweight, designed to be powered by vehicle power. Meets MIL-STD-810G and IP65 standards.



2. Components:

- Outdoor unit contains 3 thermal + 3 NIR emitters.
- Indoor unit - Control Box
- Connecting cable between the emitters head and control box -2.5m.
- Power cable – between the indoor unit and the vehicle.

3. Physical:

- Construction: Black anodized aluminum
- Shock resistant

- Water proof (for the external unit)
- Installation configuration: installation using magnet on a vehicle using a mounting adaptor
- Dimensions:

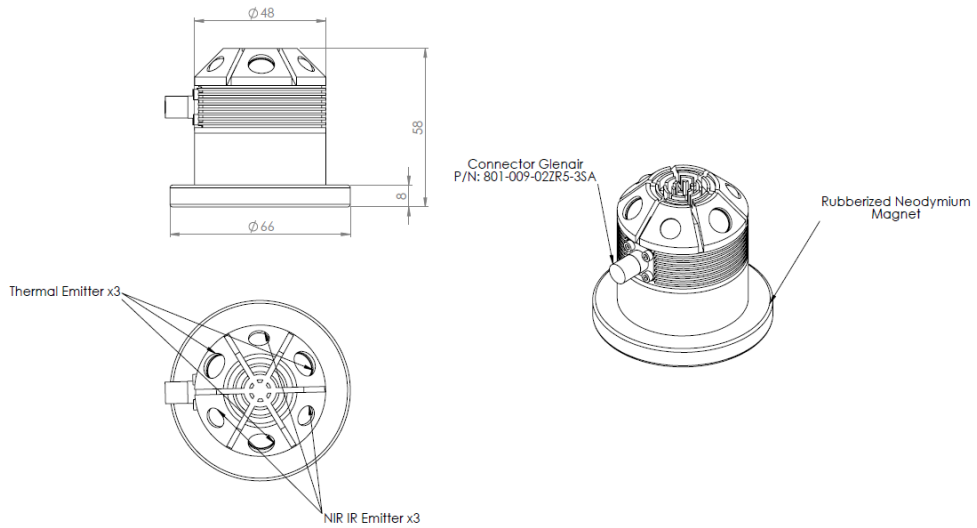


Figure 1 outdoor unit (beacon)

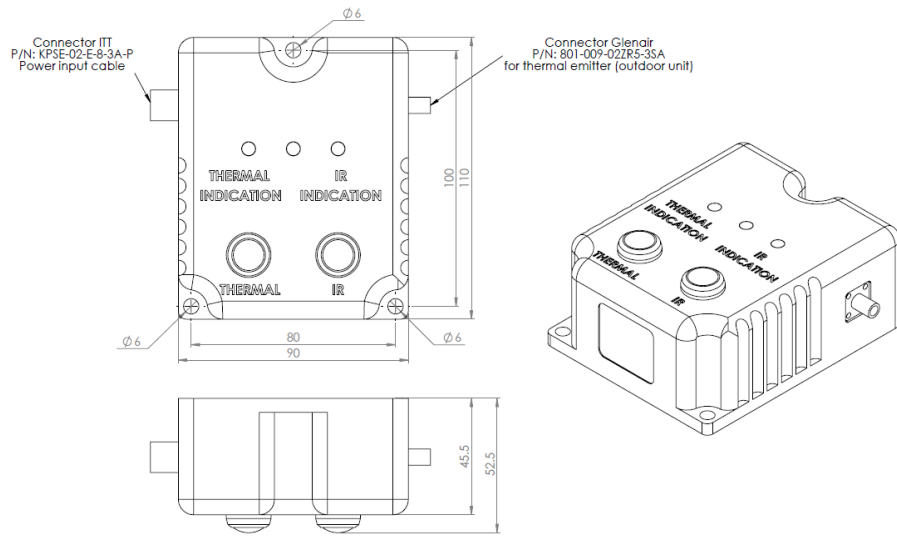


Figure 2 indoor unit (control box)

4. Optical

- Wavelength: 3-5 μm , 850nm
- Radiation coverage: omni directional (2π strad)
- Detection range using 3-5 μm camera with InSb detector & 250mm lens: 6.5km
- Detection range using 3-5 μm Airborne Optics (Litening): 15km
- Detection range using any IR light intensifier: 10km
- Repetition Rate: 1Hz
- Operational modes: three modes - only thermal or only near-IR or both of them simultaneously
- Warm-up time: less than 1 second from power-up to full performance

5. Electrical

- Operational voltage: 12/24 VDC external
- Power consumption: less than 5 Watts (average)



P +61 3 9934 9934 F +613 9686 5533 E pointtrading@pointtrading.com
145 Wells St, South Melbourne VIC 3205 Australia