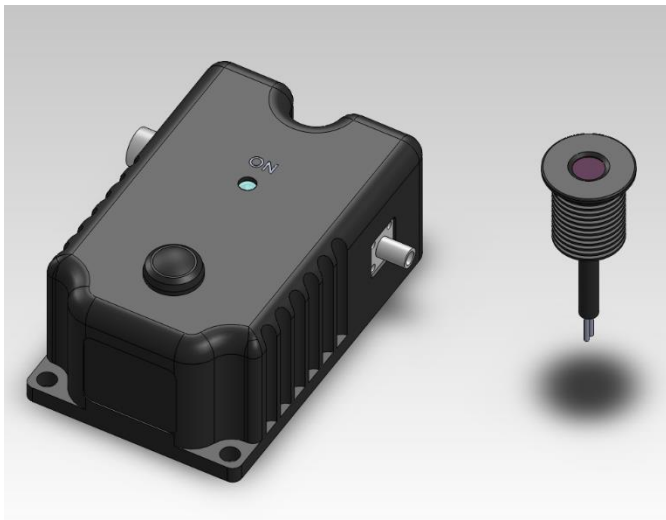


DMR-II – Technical description

1. General

The DMR-II is a vehicular mounted thermal beacon for covertly marking blue force personnel and vehicles. It radiates in the thermal spectrum (3-5 microns region) and does not emit radiation in the visible or the near infrared region which makes it undetectable by conventional image intensifier-based night vision equipment. It is equipped with a vehicular power cable for fixed installation on a vehicle. The unit designed to operate and withstands harsh environment conditions. It is extremely small and lightweight, designed to be powered by vehicle power. Meets MIL-STD-810G and IP65 standards.



2. Components:

- Outdoor unit contains 1 thermal emitter.
- Indoor unit - Control Box
- Connecting cable between the emitters head and control box -2.5m.
- Power cable – between the indoor unit and the vehicle.

3. Physical:

- Construction: Black anodized aluminum

- Shock resistant
- Waterproof (for the external unit)
- Installation configuration: installation using magnet on a vehicle using a mounting adaptor
- Dimensions:

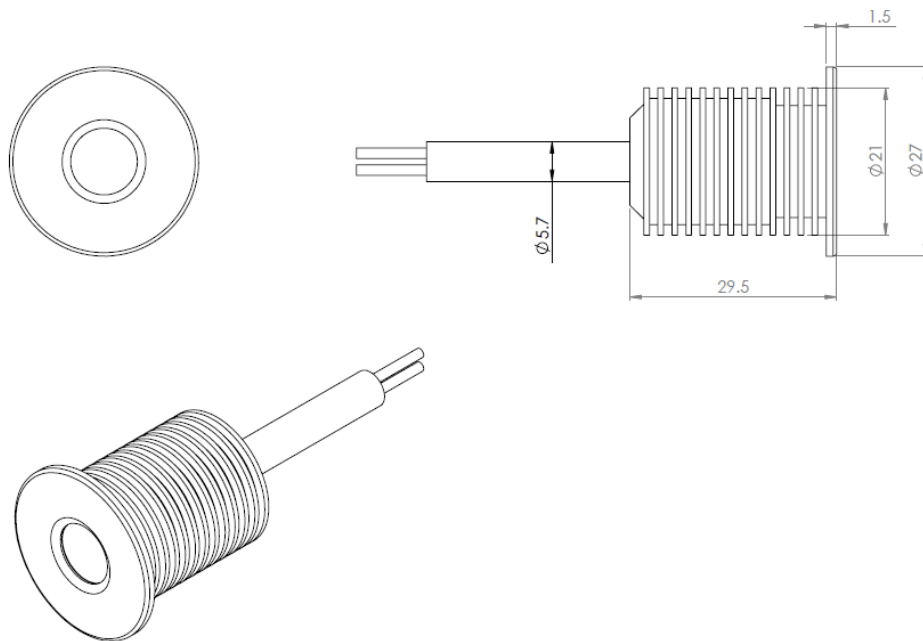


Figure 1 outdoor unit (beacon)

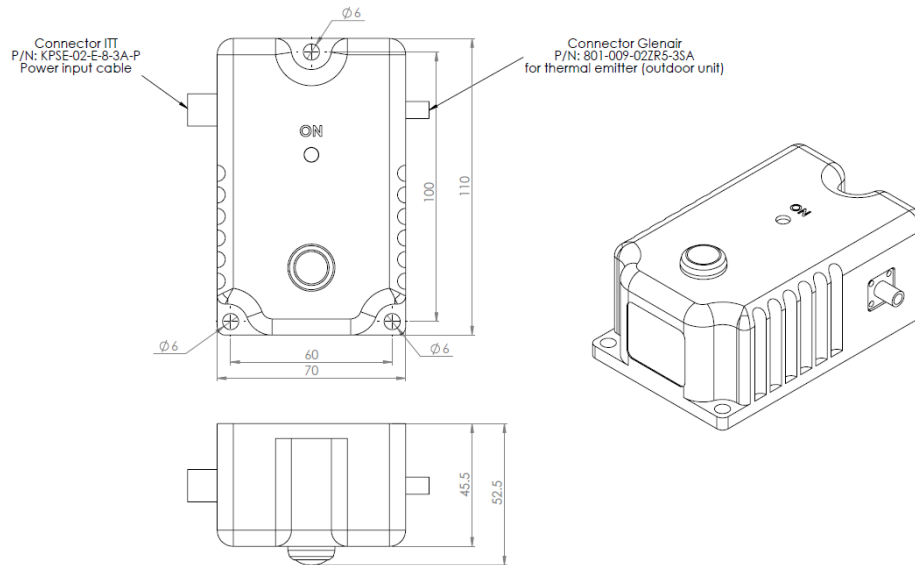


Figure 2 indoor unit (control box)

4. Optical

- Wavelength: 3-5 microns
- Radiation coverage: 70° at FWHM with respect to the Zenith
- Detection range using 3-5 μ m camera with InSb detector & 250mm lens: 6.5km
- Detection range using 3-5 μ m Airborne Optics (Litening): 15km
- Repetition Rate: 1 Hz
- Warm-up time: less than 1 second from power-up to full performance

5. Electrical

- Operational voltage: 12/24 VDC external
- Power consumption: less than 2 Watts (average)