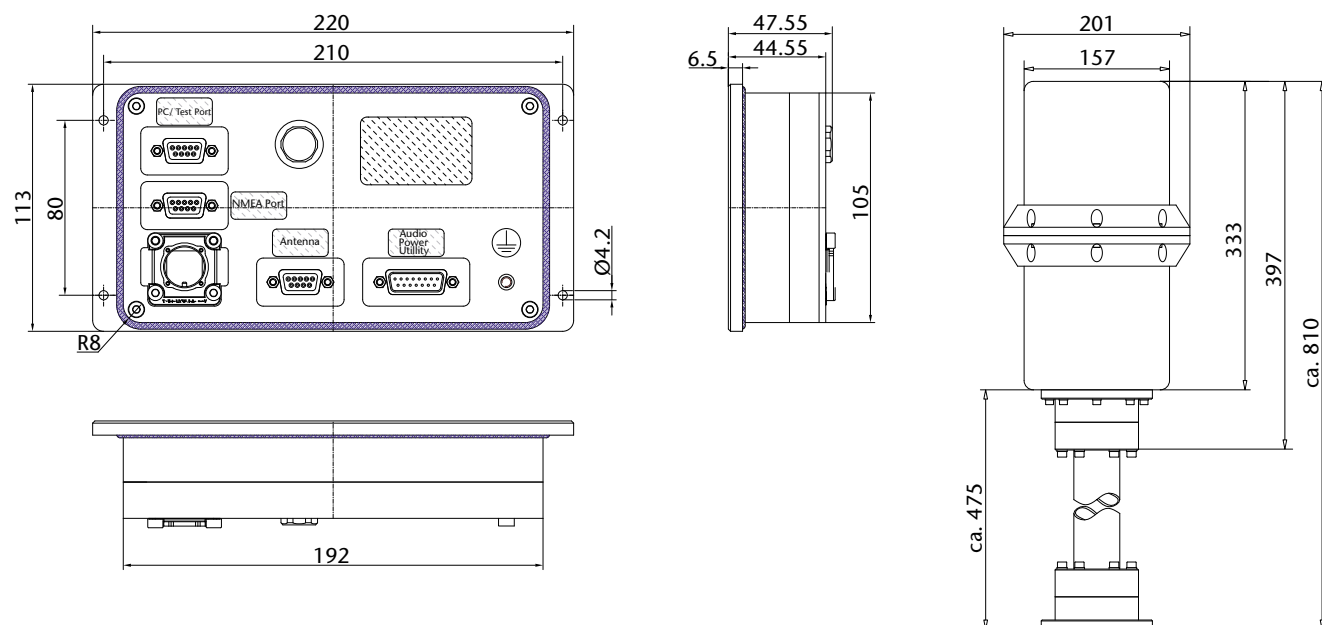


Mechanical characteristics of Display Control Unit (DCU)

Weight:	Approx. 1200 g
Operating temperature:	-20 °C to +60 °C
Storage temperature:	-40 °C to +80 °C
Ingress protection:	IP 67



Mechanical characteristics of Antenna Unit (AU)

Weight:	Approx. 5200 g
Operating temperature:	-40 °C to +60 °C
Storage temperature:	-55 °C to +80 °C
Ingress protection:	IP 67

All product specifications subject to change without notice.

RHOTHETA Elektronik GmbH
 Dr.-Ingeborg-Haeckel-Str. 2
 82418 Murnau
 Germany

E-Mail: email@rhotheta.de
 Internet: www.rhotheta.com

Tel.: +49 8841 4879 - 0
 Fax: +49 8841 4879 - 15

Coordinates:
 N 47.6842° / E 11.1982° / (WGS 84)

