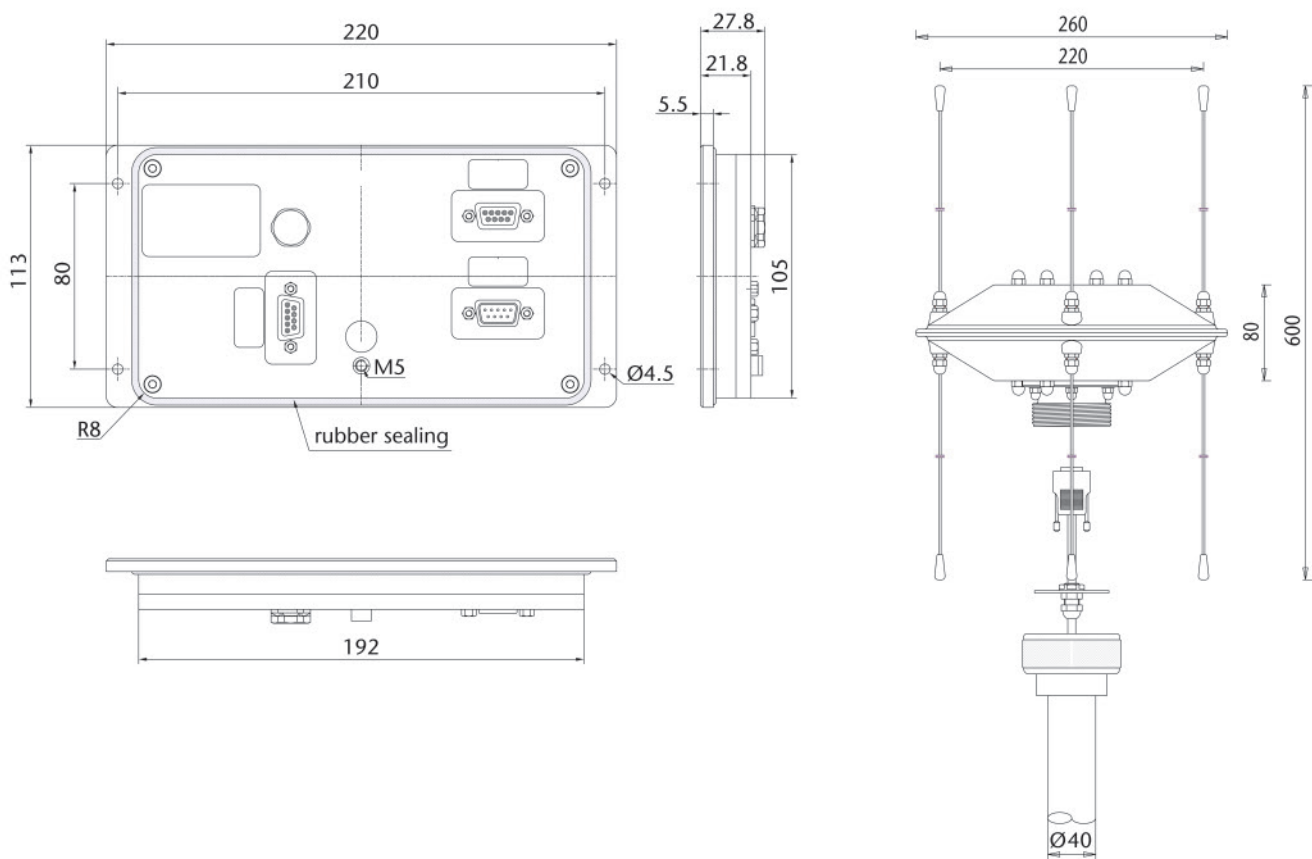


Mechanical data

Weight:	Display Control Unit (DCU): Antenna Unit (AU):	approx. 700 g approx. 1400 g
Operating temperature:	-20 °C to +60 °C	
Storage temperature:	-50 °C to +70 °C	
Ingress protection:	IP 67 (The use of the mast sealing kit is recommended to protect the antenna connector against moisture.)	



All product specifications subject to change without notice.

RHOTHETA Elektronik GmbH | Dr.-Ingeborg-Haeckel-Str. 2 | 82418 Murnau | Germany

Tel.: +49 8841 4879 - 0 | Fax: +49 8841 4879 - 15 | E-Mail: email@rhotheta.de | Internet: www.rhotheta.com

Coordinates: N 47.6842° / E 11.1982° / (WGS 84)

RHOTHETA America

Tel.: +1 435 578 - 1270 | Fax: +1 435 487 - 1491 | E-Mail: info@rhothetaUSA.com | Internet: www.rhothetaUSA.com